

## McKean County Amateur Radio Club



### SEPTEMBER 2017 NEWS LETTER



#### Parks On The Air Program POTA



This is the logo for the United States program

Every QSO you make counts but to get full credit you need 44 QSO's from an entity, Here is the reason for that; *What does '44' mean?*

*During a WWFF QSO you may hear reference to the term '44'.*

*The first digit '4' represents the four elements: earth, water, air, and fire.*

*The second digit '4' represents the four directions: north, south, east, and west.*

I returned to Harrison and Cherry Springs State Parks and now have more than the 44 QSO's for each. Of course the "activator" needs to make contacts and that of course requires someone else. So we need "chasers". So if some day you are listening and hear someone call Parks on the Air or POTA give them a call. All you need to tell them is RS(T), most activators like to know your state, gives them an idea how well they are getting out. You don't have to be QRP either, QRO is fine, Digital Phone or CW or any combination is okay. So the next time you are looking up and down the bands or see someone spotted on one of the spotting web sites, give them a call, I know they will appreciate it. **Has anyone made a contact with a POTA activator?** Let me know if you have.

**The McKean County Fair** has come and gone and we had a great turnout. I'll try to remember everyone that participated; Don N3ELI, Sandee N3HPL, Sandy KB3SVH, Jay KC3ISD, Dave N3B XK, Tony N3KTA, Steve AC2RT, Carol KC2CMC, Jack K2BYL, Joel KC3ISE, Ted W3VG. I am sure I forgot someone, first, please forgive me and second, let me know

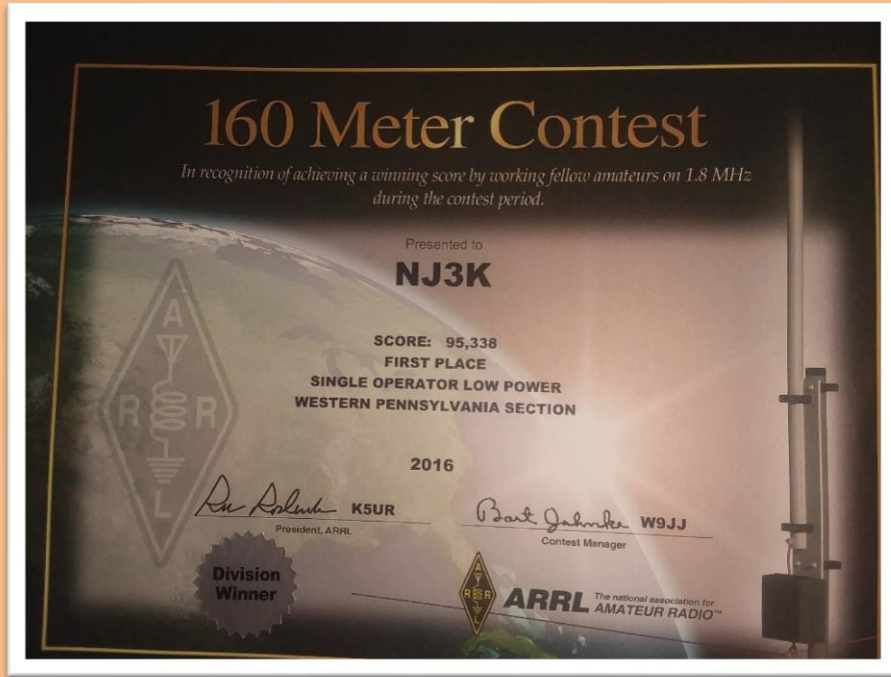
who I missed and I will include their name and call next month. Here are a couple of pictures of the event. We did not have a lot of visitors to our booth, I guess most folks had other things to do, eat cotton candy, hot sausage sandwiches, and ride rides.



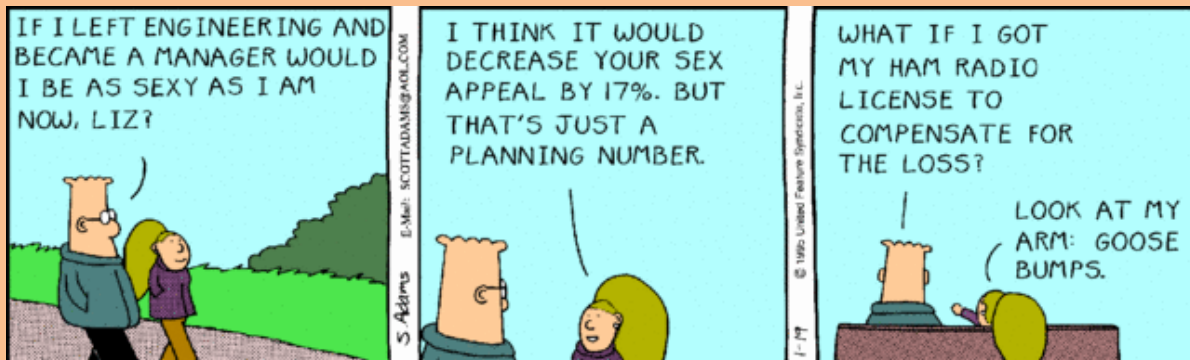
Also Don, Sandee, Jay, Sandy, Tony and I were at the Boy Scout Camp. Had a Great time met some great scouts.



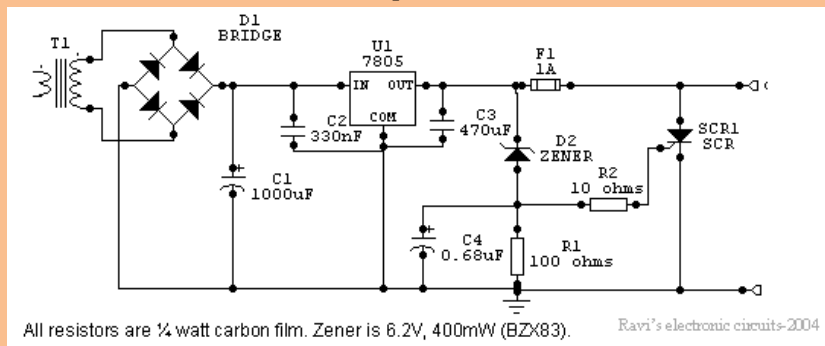
The ARRL has mailed out the certificates for the 160 meter contest. This is the one I received. I know I should not brag, BUT I won the Atlantic Division!!



**The McKean County Radio Club meeting will be September 19 at 1900 in the McKeanCounty DES building.**



## What function does the SCR perform?



Last month I asked the below question on what we can do to get more members, so at the meeting on Tuesday maybe we can discuss this? (NOTE: I will not be at the meeting I should be in Arizona looking at the big hole in the ground (Grand Canyon)

**Question:** How can we get more members to join and get active with the club? We have had two Technician classes and one General class, lots of new hams in the area but not active with the club. I know we are less than a year into getting up and running again, but it would be nice to see more faces at the meetings and other events.

## Up Coming Events

**Hamfest:** Not too many, snow will be here soon, I can hardly wait ☺

### Hamfest/Convention

09/10/2017 | [Butler County Amateur Radio Swapfest](#)

**Location:** Butler, PA

**Type:** ARRL Hamfest

**Sponsor:** Butler County Amateur Radio Association

**Website:** <http://w3udx.org>

## **Hamfest/Convention**

**09/09/2017 | [Lancaster Hamfest](#)**

**Location:** Lancaster, NY

**Type:** ARRL Hamfest

**Sponsor:** Lancaster Amateur Radio Club

**Website:** <http://w2so.org>

## **Hamfest/Convention**

**09/23/2017 | [Rome Radio Club Hamfest](#)**

**Location:** Rome, NY

**Type:** ARRL Hamfest

**Sponsor:** Rome Radio Club

**Website:** <http://www.romeradioclub.com>

## **Hamfest/Convention**

**09/30/2017 | [42nd Annual Elmira International HamFest](#)**

**Location:** Horseheads, NY

**Type:** ARRL Hamfest

**Sponsor:** Amateur Radio Association of the Southern Tier & Chemung County Amateur Radio Emergency Service

**Website:** <http://www.ARAST.org>

## **Hamfest/Convention**

**09/24/2017 | [Cleveland Hamfest and Computer Show](#)**

**Location:** Berea, OH

**Type:** ARRL Hamfest

**Sponsor:** Hamfest Association of Cleveland

**Website:** <http://www.hac.org>

## **Contests:**

**The 2017 PAQSO Party Is October 14 and 15, 2017.**

We need to start thinking about this one, it will be here in no time. As always we need to

talk about antennas, operators and radios, and see if we can get the Black Forest Lodge again.

Below is some information from the CW Operators web site. These events are only an hour long and a good way to get your feet wet in CW contesting, or to improve your CW skills. Check it out I am sure you will find it enjoyable.

### **Below is a proposed change to our Constitution and bylaws.**

#### **New language**

#### **Article II Officers**

##### Section. 1. Offices

The officers of this Club shall be President, Vice-President, and **Secretary/Treasurer**.

##### Section 3. Term limits

An individual may not hold the same office for more than two consecutive terms and may not serve more than four consecutive terms as an officer, **unless no replacement can be nominated.**

An individual may not hold more than one office during the same term.

#### **Article III Duties of Officers**

#### **Combined Old Sections 3 & 4**

##### Section. 3. **Secretary/Treasurer**

The Secretary/Treasurer shall keep a record of the proceedings of all meetings, keep a roll of members, submit membership applications, carry on all correspondence, read communications at each meeting, and provide meeting notices to the membership. ~~At the expiration of his/her term he/she shall turn over all items belonging to the Club to his/her successor.~~

The **Secretary/Treasurer** shall receive and receipt for all monies paid to the Club; keep an accurate account of all monies received and expended; pay no bills without proper authorization (by the Club or its officers constituting a business committee). **At each monthly meeting**, he/she shall submit an itemized statement of disbursements and receipts. At the end of his/her term, he/she shall turn over everything in his/her possession belonging to the Club to his/her successor.

All financial accounts for the Club shall require dual signatures. The first signature shall be the **Secretary/Treasurer** and the second shall be either the **President or Vice-President.**

#### **Bylaws**

All instances of secretary shall now be replaced with secretary/treasurer

**Another note:** If you have QSL cards to be checked for DXCC, (including 160 meters) WAS or VUCC I can do this. Contact me at [bmanning@zitomedia.net](mailto:bmanning@zitomedia.net)

**Meeting Reminder:** HARC meeting is September 5, 2017 7PM at the Gunzburger building.

**As always if you have something you want me to include in the newsletter please let me know. Send it to [bmanning@zitomedia.net](mailto:bmanning@zitomedia.net)**  
73 Bruce NJ3K