

McKean County Amateur Radio Club



JANUARY 2019 NEWSLETTER

Sorry the newsletter is so late, I, like all of you, was very busy over the holidays. But finally all the Christmas decorations are put away for another 11 months. Also Don, N3ELI, Ted, W3GV, Steve, AC2RT and I have been busy teaching the Technician class in Smethport, we have 8 students and all are progressing very well. I started teaching at the Career and Technician Center (Votech) in Port Allegany. I am working in the Engineering and Technology class. I am instructing the students in Electronics. Now remember I am not an engineer, but the school administration has enough faith in me to do this??? I am mostly a volunteer, but I also substitute and I get paid for that.

I do hope everyone had a great Christmas and a wonderful New Year. So along with the usual diet and exercise New Year promises, what are your plans for Amateur Radio in 2019? I plan on a new 80 meter inverted "L", The 160 inverted "L" works so well maybe one on 80 will help my DX Challenge on that band as well. I have a QRP radio kit I bought at Dayton last May, I need to start putting it together.

PAQSO PARTY results are in, We done good!!!!

McKean	Category	CW	PH	Dig	Total Q	Bonus	Cty	Sec	DX	Total M	Score
W3VV	Port MO	360	464	4	828	3	64	51	1	116	138,872
KD3D	Port SO	252	217	0	469	2	62	50	1	113	81,873
N3HPL	SO LP SSB	0	98	0	98	1	51	15	0	66	6,668
N2CU	Mob SO	35	20	0	55	0	12	21	1	34	3,060
KC3DRZ	Mob MO	0	3	0	3	0	2	2	0	4	12

Looking at this score, the second place in the county was way behind W3VV.

Portable Multi Op

	<u>CW</u>	<u>PH</u>	<u>Dig</u>	<u>Total Q</u>	<u>Bonus</u>	<u>Cty</u>	<u>Sec</u>	<u>DX</u>	<u>Total M</u>	<u>Score</u>
N3VZ	603	975	6	1584	2	67	76	1	144	316,192
WQ3N	506	785	0	1291	2	67	72	1	140	251,980
K3MD	405	613	0	1018	3	66	61	1	128	182,744
KB3RC	591	205	0	796	3	58	65	1	124	172,588
N3ZK	105	846	0	951	4	67	71	1	139	147,584
W3VV	360	464	4	828	3	64	51	1	116	138,872
K3HCR	228	243	0	471	3	62	44	1	107	75,393
KS3N	1	512	0	513	2	67	40	1	108	55,912

In the Portable Multi Op category we came in 6 out of 8. Now is the time to start thinking and discussing what we can do to improve things for the 2019 PAQSO Party.

2018 Pa QSO Party – QSOs by Band, Mode

Band	In State				Out of State				Combined			
	PH	CW	DIG	Total	PH	CW	DIG	Total	PH	CW	DIG	Total
160	143	656		799	12	218		230	155	874		1,029
80	17,086	6,732		23,818	2,980	2,771		5,751	20,066	9,503		29,569
40	17,420	8,757	39	26,216	4,533	3,776	13	8,322	21,953	12,533	52	34,538
20	3,992	2,457	21	6,470	571	1,076	6	1,653	4,563	3,533	27	8,123
15	136	110		246	25	29		54	161	139		300
10	5	1		6		2		2	5	3		8
6	1			1					1			1
144	20			20					20			20
222	1			1					1			1
Total	38,804	18,713	60	57,577	8,121	7,872	19	16,012	46,925	26,585	79	73,589

Time for me to blow the CW horn, Looking at the above chart we see a total of 46,925 Phone QSO's and 26,585 CW, BUT! CW QSO's are worth 2 points each, so point wise there were 53,170 points for CW, (I know I sometime get a little obnoxious about CW, so please forgive me)

At our last meeting we discussed getting Worked All States (WAS) for W3VV. I asked for and received permission from Don N3ELI to use W3VV and try to get WAS on CW. Sandee

sent out a list of states we needed on CW, Fone and Mixed. (see last months newsletter) We needed 22 on CW so I set out to see what I could do. On 12-19-2018 I started and by 12-30-2018 I had worked the remaining 22 states. Now the hard part, getting the QSL's. As of now Sandee has received confirmation for 7 of the 22. She is waiting for the other 15 to come in. Some of the remaining 15 I have worked again just in case we do not get a QSL card from the first ones.

The Secret Word contest

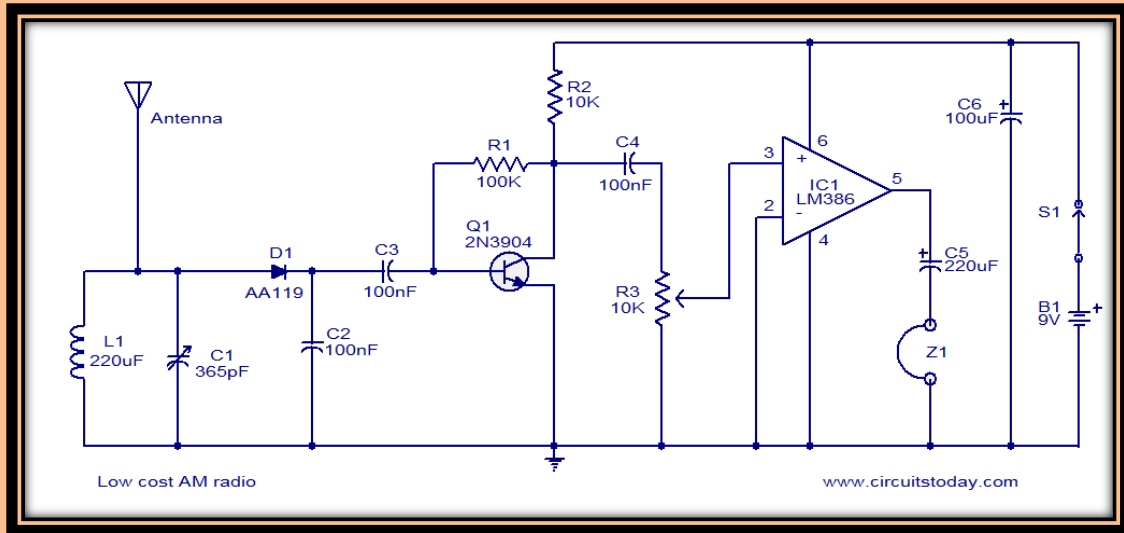
Results; 1st place Steve, KC3KZQ. A brand new VHF/UHF HT Baofeng UV5RA.

2nd place Carol, KC2CMC. A hat, a CD on how to learn CW and a I ❤️ CW Lapel pin, and a ARRL Field Day Frisbee.

3rd place Tony, N3KTA, received a Kenwood pocket notebook with a calculator.

These were the only three to enter the contest and all three had all the secret words from the 2018 Newsletter. **CONGRATULATIONS TO ALL!!**





What does D1, AA119, do?

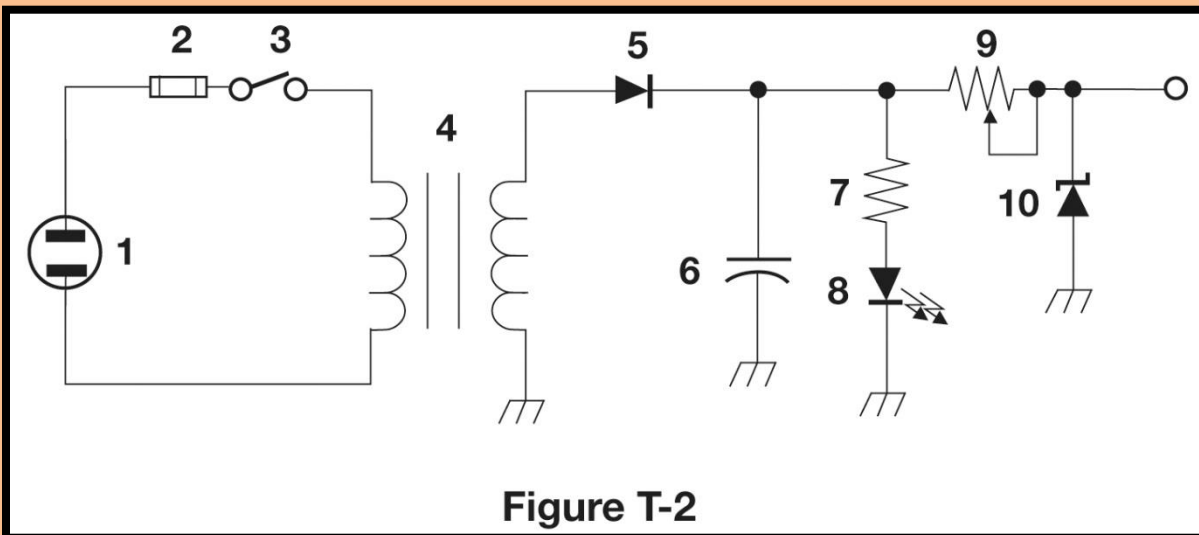


Figure T-2

What is componet 10, and what is it purpose?

Answer, It is a Zener diode and clamps the output voltage, so it is a voltage regulator. Any one get this one correct?

If anyone is interested in attending The McKean County Radio Club Meetings are the 3rd Tuesday at 1900 at the McKean County Department of Emergency Services building. 17175 Rt. 6, Smethport, Pa 16749.

Upcoming Events

Hamfest: If you attend a Hamfest, send me a report and some pictures I am sure are readers would be interested.

Hamfest/Convention

02/24/2019 | [The South Hills Hamfest](#)

Location: South Park Township, PA

Type: ARRL Hamfest

Sponsor: Wireless Association of the South Hills ARC

Website: <http://n3sh.org>

[Learn More](#)

Hamfest/Convention

02/23/2019 | [Winter Hamfest](#)

Location: Big Flats, NY

Type: ARRL Hamfest

Sponsor: LIM Amateur Radio Group

Website: <http://www.ka2lim.com/7.html>

[Learn More](#)

01/26/2019 | [Lockport ARA Winter Hamfest](#)

Location: Lockport, NY

Type: ARRL Hamfest

Sponsor: Lockport Amateur Radio Association

Website: <http://www.lockportara.us>

[Learn More](#)

Winter is here, so this is all there is for now!

Contests:

Classic Exchange, CW: 1300Z, Jan 13 to 0700Z, Jan 14 and 1300Z, Jan 15 to 0700Z, Jan 16

CWops Mini-CWT Test: 1300Z-1400Z, Jan 16 and 1900Z-2000Z, Jan 16 and 0300Z-0400Z, Jan 17

NCCC RTTY Sprint: 0145Z-0215Z, Jan 18

QRP Fox Hunt: 0200Z-0330Z, Jan 18

NCCC Sprint Ladder: 0230Z-0300Z, Jan 18

Hungarian DX Contest: 1200Z, Jan 19 to 1159Z, Jan 20

RSGB AFS Contest, SSB: 1300Z-1700Z, Jan 19

North American QSO Party, SSB: 1800Z, Jan 19 to 0559Z, Jan 20

NA Collegiate Championship, SSB: 1800Z, Jan 19 to 0559Z, Jan 20

WAB 1.8 MHz Phone/CW: 1900Z-2300Z, Jan 19

Run for the Bacon QRP Contest: 0200Z-0400Z, Jan 21

NAQCC CW Sprint: 0130Z-0330Z, Jan 23

Phone Fray: 0230Z-0300Z, Jan 23

CQ 160-Meter Contest, CW: 2200Z, Jan 25 to 2200Z, Jan 27

UBA DX Contest, SSB: 1300Z, Jan 26 to 1300Z, Jan 27

Winter Field Day: 1900Z, Jan 26 to 1900Z, Jan 27

See WB7ANM for more information on contests.

Another note: If you have QSL cards to be checked for DXCC, (including 160 meters) WAS or VUCC I can do this. Contact me at bmanning@zitomedia.net

As always if you have something you want me to include in the newsletter please let me know. Send it to bmanning@zitomedia.net

73 Bruce NJ3K