

McKean County Amateur Radio Club



DECEMBER 2017 NEWS LETTER

The McKean County Department of Emergency Services will once again hold a Technician and General Class License course. **Dates are as follows: Technician**, Jan 6, 13, 20, 27, Feb 3 & 10. The 10 will be review and testing. **General**, Feb 24, Mar 3, 10, 17, 24, 31 and Apr 7. April 7 will be review and testing. Classes are in the DES, 911 center 17175 Rt. 6 in Smethport from 0900 to 1600 on those Saturdays. **Cost is FREE.** Books will be provided and the sign up deadline is December 22, 2017 so we can get the books ordered on time. We will cover not only the material in the book so you can pass the test and get a license, we will also do a lot of hands on and demonstrations. Plus homework!! Our intent is to not only get you licensed but we want you to have a better understanding of radio and electronics. This will prepare you to be a better radio operator. Contact Bruce Manning NJ3K at bmanning@zitomedia.net for more information and to register.

I have had a busy time on the air lately. I have a mobile QRP (5 watts) CW station in my car. So I started a quest, see if I can get DXCC, CW, QRP, mobile. I installed the radio back in June 2017. I had 16 countries before the CQ WW CW contest thanksgiving weekend. I now have 48 countries. So I still have a long way to go.

Also the weekend of December 1-3, 2017 was the ARRL 160 meter contest, this one the League got right, CW ONLY!! I made 738 QSO's and ended up with 118,600 points. Of course the contest log checking robot will find all my mistakes and the final score will be lower. So now it's a waiting game to see when the scores come out. Last year I took first place in the Atlantic Division Low Power, Single Operator Unassisted. Keeping my fingers crossed!

The McKean County DES EMCOMM team will be holding a training session on December 18, 2017 at 1800 in the EOC. If you are a member please try to attend. If you are interested in becoming a member of the team please attend. Remember the EMCOMM team is a special team under the McKean County Board of Commissioners. This is not a social group. Any questions please contact me Bruce Manning NJ3K at bamanning@zitomedia.net

FROM THE SHACK OF N3HPL

Just a couple things to catch up on.

The PA QSO PARTY which was October 14, and 15, 2017. I checked the site and Preliminary Scores for In-State are posted. W3VV had 100,900 points. N3HPL had 14, 377 points. The group handling all this information that comes in are still at work. When final results come in we will let you know how we did.

Our meeting in November 2017 – the club was looking for members who wanted to run for office. No one volunteered, so the officers remain the same. Sandy KB3SVH – President, Tony N3KTA – Vice President and Sandee N3HPL – Secretary/Treasurer.

Our last Club Meeting will be on December 19, 2017. Since it is so close to the Holiday we decided to have a Meeting and a Food Party. The Food Party is at 6 PM and the meeting will be at 7 PM. (Bruce NJ3K got these times approved by DES and Sandy KB3SVH, Tony N3KTA and Sandee N3HPL, agreed to the times). Our Food Party is open to all – you are requested to bring a dish to pass.

Here is a list so far:

N3HPL and N3ELI – Meatballs and sauce and grated cheese

KD3IJ – Rolls

N3KTA – Pistachio Salad

KB3SVH – plates and cups

KC2CMC and AC2RT – Dessert

If you will be attending please notify Sandee N3HPL at 368-4026, 598-2865 or sandee_don@verizon.net. We need to keep a count of people and keep our list up to date of what is your dish to pass. We do not want to allot of duplicates.

November and December 2017 have been busy months as we are getting ready for the Technician Class 2017 that will begin January 6, 2018. I have been printing

fliers off so that I can do a mass mailing of about 80 envelopes and then I had about 4 people I sent fliers to as we talked with some at the McKean County Fair and 2 others from Bradford who are interested. Everything is in the mail and I went around town and posted fliers in food places, pharmacy, mini mall and Post Office.

I also met with personnel at the local news papers as during other classes I mailed them with a cover letter. It was great to meet these people and now have a face to go with the name. Everyone was glad to assist.

Registration ends on December 22, 2017 and if you are interested, contact Bruce NJ3K at bmannig@zitomedia.net.

I am working on getting the General fliers out during January 2018 and have my envelopes all addressed and labels on them and the stamps.

We look forward to seeing everyone at the last Club Meeting for 2017 and the Food Party.

73 and Happy Holidays to all,

Sandee N3HPL

Remember to check all circuites before you go poking around. A lot of todays equipment runs on 12VDC or less **BUT** there still is a lot of older equipment that have voltages high enough to KILL. Oh.... and that 12VDC Power Supply has 120VAC going in to it. Be careful and double check.



I received this from Steve Bell, KA3DFA, The listed prices are just so you have some idea what it might be worth.

Silent Key, Jim Schultz ham equipment. Widow, Audrey, 814-697-6280

12-2-2017/srb

Mfg.	Model	Description	Internet price	Comments
Kenwood	TS690S	All Mode Multi Band HF Transceiver	\$750	
MFJ	941E Versa Tuner	HF tuner	\$40	
Yeadu	FT101E	HF Transceiver 160 - 10m	\$500	
Kenwood	TS700A	Mid-70s 2m multi-mode transceiver, 10W	\$100	
Pyramid	PS52K ?	52 amps peak, 12-15 VDC power supply	\$324	
Dentron	MLA-1200	1.2 KW(PEP) 6M Amplifier. It uses one Eimac 8875 tube.	\$225	
Pride	DX300	CB linear amp	\$205	Vintage
Heath Kit	Cantenna	Dummy Load	Less than \$40	
MFJ	MFJ-1118	DC Power Strip	\$31 to \$45	
	RS2950	Mobile 6M? rig?	\$82 to \$85	
Hallicrafters	CRS-2	HF receiver		Vintage
Kenwood	TR-7930	Early to mid 1980's 45w 2M monobander	\$40	Older 2m portable rig
Kenwood	DSP-100	External DSP unit for TS850 and TS450	Asking \$395	Hard to find
Kenwood	TR-2500	2M FR HT	Asking \$30	
Eico	221	Older VOM	Asking \$20	
Hallicrafters	SX-42	Receiver	Asking \$200	
Hallicrafters	R-46	Remote speaker	Asking \$60	
Hallicrafters	HT-18	VFO		

Condition of all equipment is unknown. This is a smoker home so adjust offer price accordingly. Most descriptions taken from eHam.net. Prices taken from ebay and QTH classifieds. Estimates only and may not be price paid for equipment. When shown as "Asking" price, they are not selling at this price.

Various old receivers

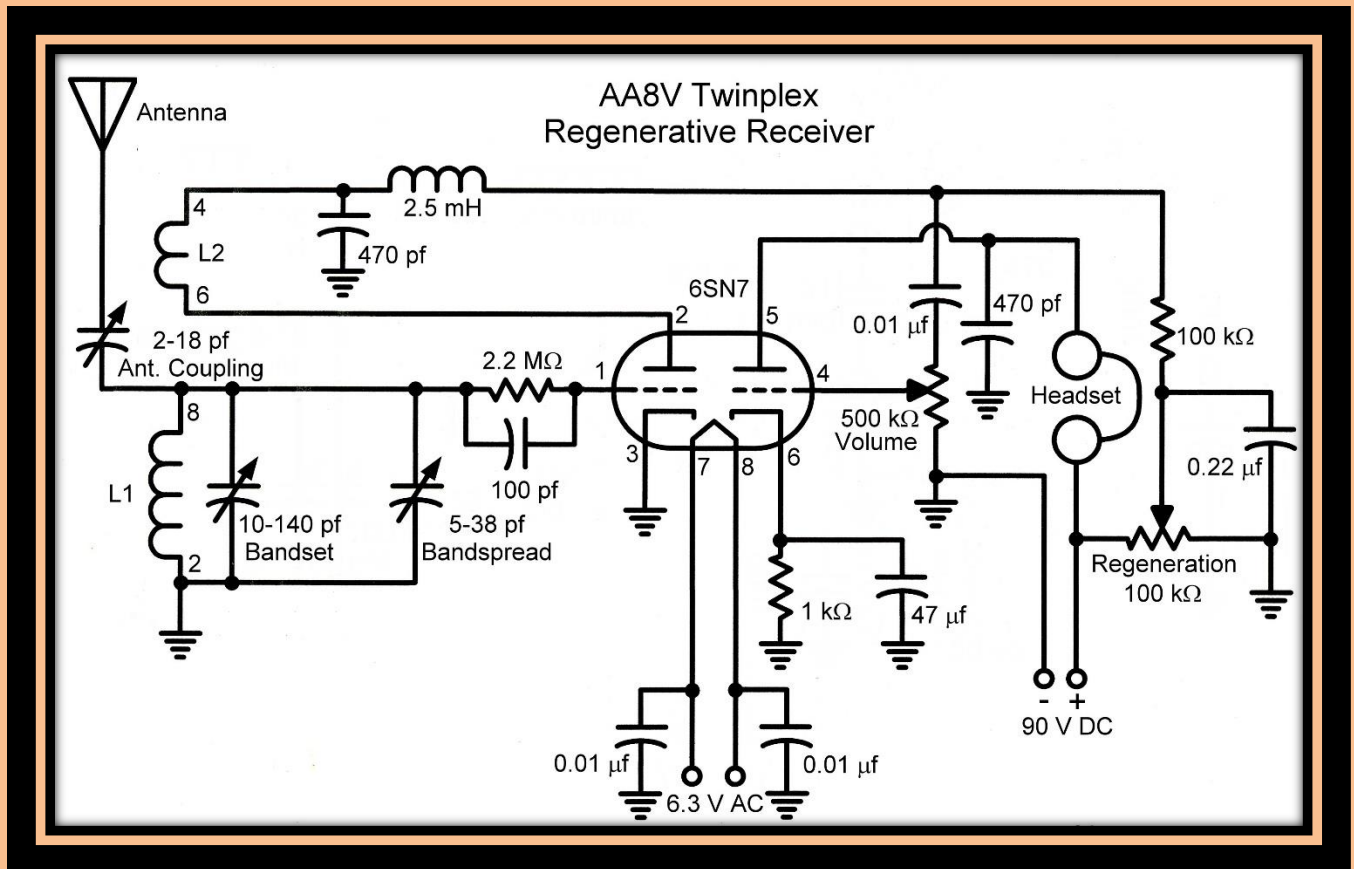
Various audio equipment

Various misc parts, etc



McKean County Club meeting will be December 19, 2017, at the McKean County DES Building at 1900. Food Party starts at 1800.

What is the purpose of L2?



Up Coming Events

Hamfest: There aren't any! I checked in WPA, WNY, EPA, ENY and Ohio sections, Why? Winter.

Contests:

In 2014 the ARRL sponsored a yearlong event centered on the 100 anniversary of the ARRL. In 2016 they had the National Parks On the Air (NPOTA) yearlong event. In 2018 they will be having another yearlong event.

The ARRL International Grid Chase

Get ready to kick off 2018 with a new year-long operating event!

The objective of the ARRL International Grid Chase is simple: Work stations in as many grid squares as possible and upload your log data to ARRL's Logbook of The World. If you are not currently registered with Logbook of The World, this is a good reason to get started. Go to <https://lotw.arrl.org/lotw-help/getting-started/>. Registration and uploading are *free*.

Every new grid square contact confirmed through Logbook of The World counts toward your monthly total, so you have an incentive to start the chase as soon as you ring in the New Year.

See the ARRL Web site for more details. This will be a month by month event and at the end of the year your scores will be totaled. Sounds Like Fun!

Check out the below link.

<http://www.contesting.com/>

Another note: If you have QSL cards to be checked for DXCC, (including 160 meters) WAS or VUCC I can do this. Contact me at bmanning@zitomedia.net

As always if you have something you want me to include in the newsletter please let me know. Send it to bmanning@zitomedia.net

73 Bruce NJ3K